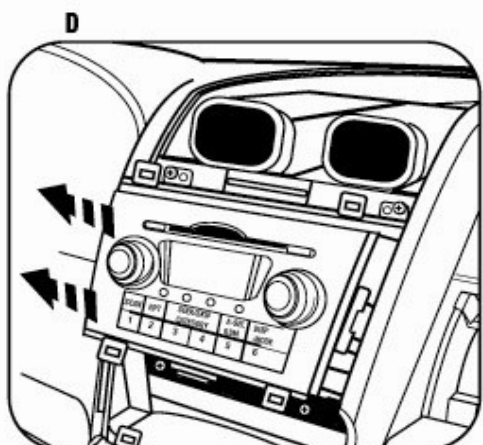
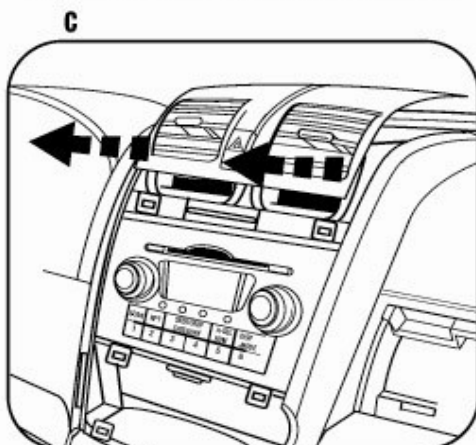
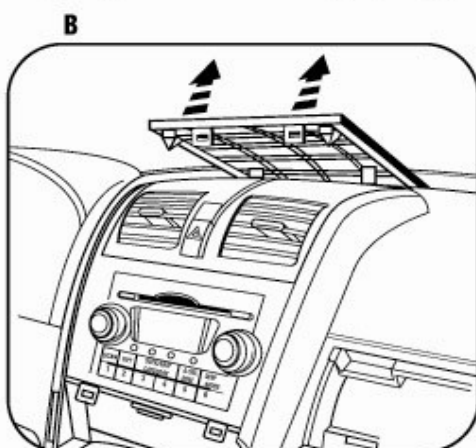
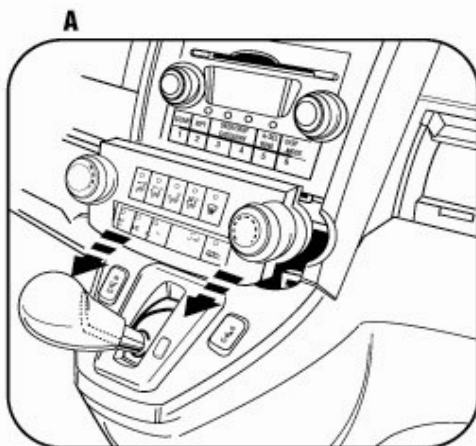


www.1999.gr

HONDA CR-V 2007

- 1 Disconnect the negative battery terminal to prevent an accidental short circuit.
- 2 Unclip a/c control. Unplug and remove a/c control. (Figure A)
- 3 Unclip and remove panel above a/c vents. (Figure B)
- 4 Unclip the a/c vent panel including the hazard switch. Unplug and remove the panel. (Figure C)
- 5 Remove (4) Phillips screws securing the radio. Unplug and remove radio. (Figure D)

Continue to kit assembly.



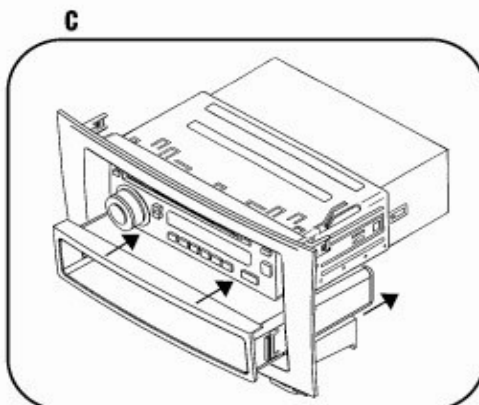
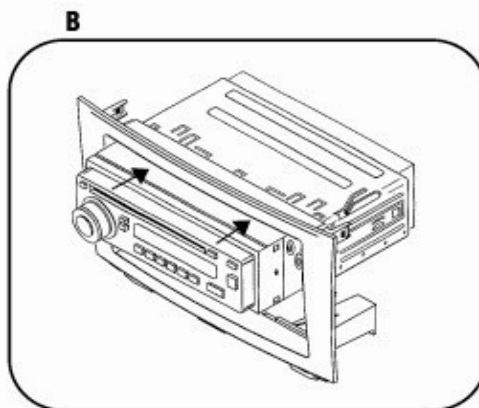
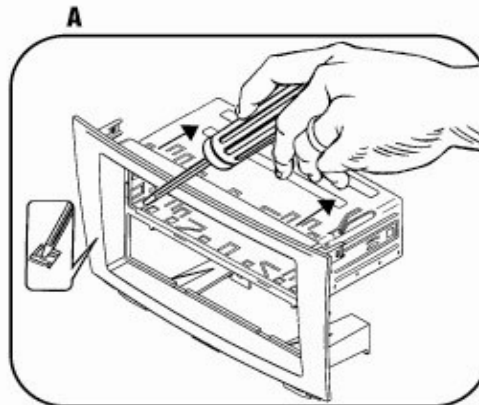
WWW.1999.gr

DIN MOUNT RADIO PROVISION WITH POCKET

**Note: Refer also to the instructions included with the aftermarket radio.*

- 1 Slide the DIN cage into the Radio Housing and secure by bending the metal locking tabs outward. (Figure A)
- 2 Slide the aftermarket radio into the DIN cage until it snaps into place. (Figure B)
- 3 Snap the pocket into the radio housing. (Figure C)

Continue to final assembly.



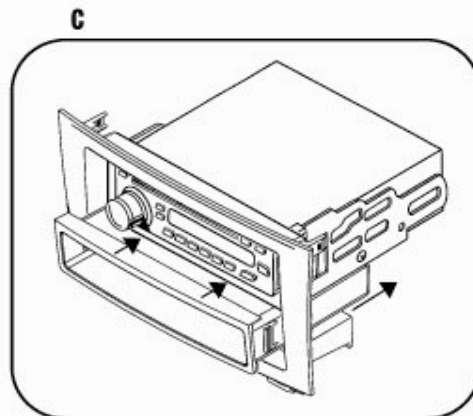
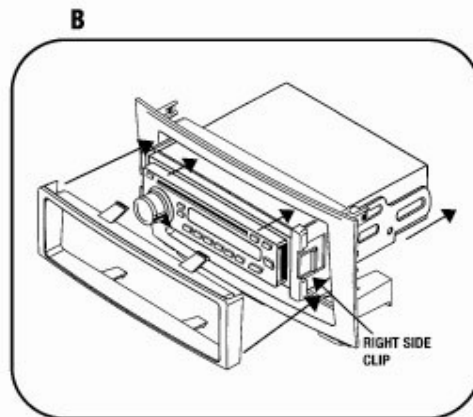
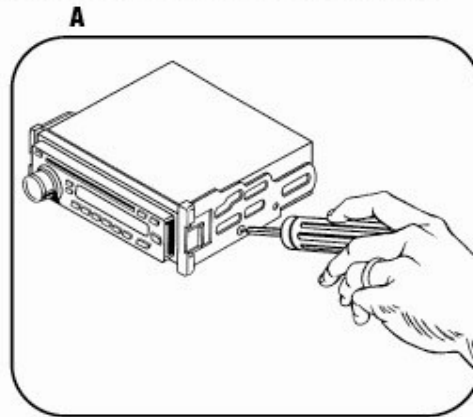
WWW.1999.gr

ISO MOUNT RADIO PROVISION WITH POCKET

**Note: Refer also to the instructions included with the aftermarket radio.*

- 1 Mount the ISO Brackets to the radio using the screws supplied with the radio. (Figure A)
- 2 Slide the radio into the Radio Housing until it snaps into place. (Figure B)
- 3 Snap the Trim Plate onto the front of the Radio Housing. (Figure B)
- 4 Snap the Pocket into the Radio Housing. (Figure C)

Continue to final assembly.



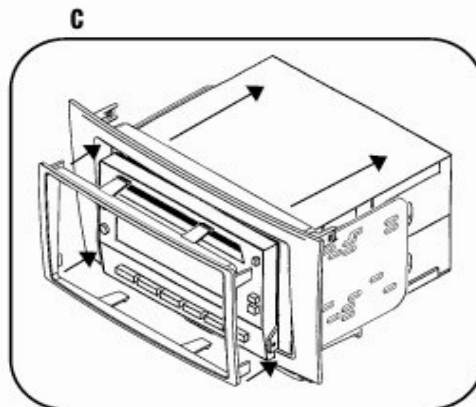
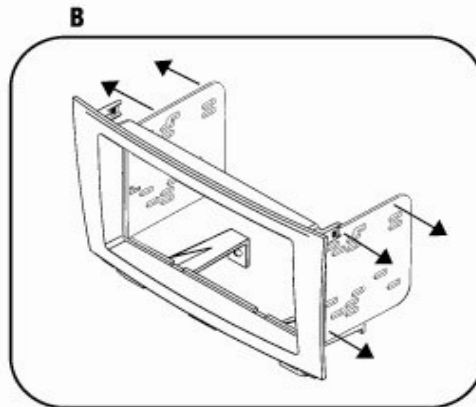
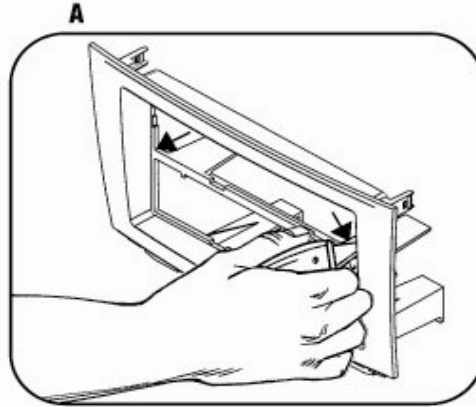
WWW.1999.GR

DOUBLE DIN MOUNT RADIO PROVISION

**Note: Refer also to the instructions included with the aftermarket radio.*

- 1 Cut and remove the center bar from the Radio Housing. (Figure A)
- 2 Snap the Double DIN brackets to the inside edge of the Radio Housing. (Figure B)
- 3 Slide the Double DIN radio into the DDIN bracket/Radio Housing assembly and secure the radio to the assembly using the screws supplied with the radio. (Figure C)
- 4 Snap the Double DIN trim plate onto the front of the Housing/Radio assembly. (Figure C)

Continue to final assembly.



WWW.1999.gr

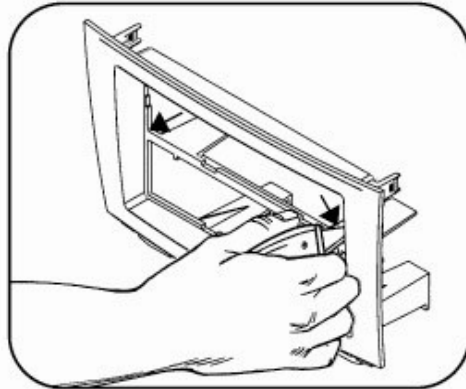
STACKED ISO UNITS PROVISION

**Note: Refer also to the instructions included with the aftermarket radio.*

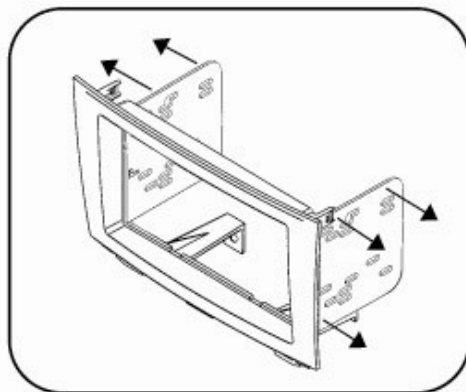
- 1 Cut and remove the center bar from the Radio Housing. (Figure A)
- 2 Snap the Double DIN brackets to the inside edge of the Radio Housing. (Figure B)
- 3 Slide the stacked ISO mount units into the Double DIN Bracket/Radio Housing assembly and secure the units to the assembly using the screws supplied with the units. (Figure C)
- 4 Snap the Double DIN trim-plate onto the front of the Housing/Radio assembly. (Figure C)

Continue to final assembly.

A



B



C

